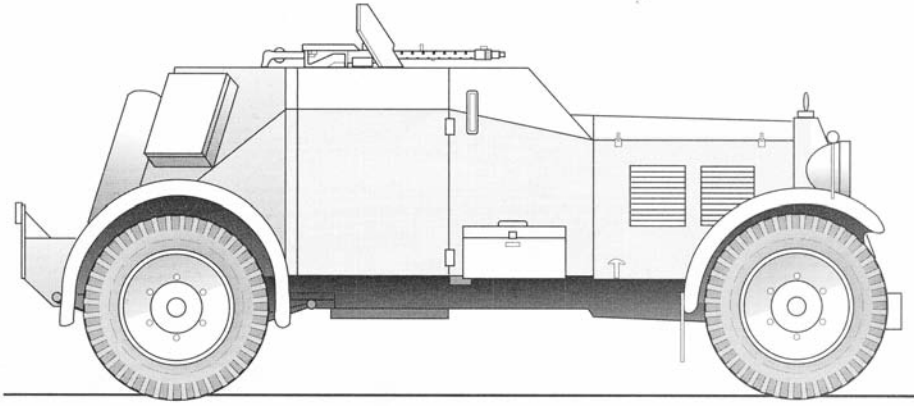
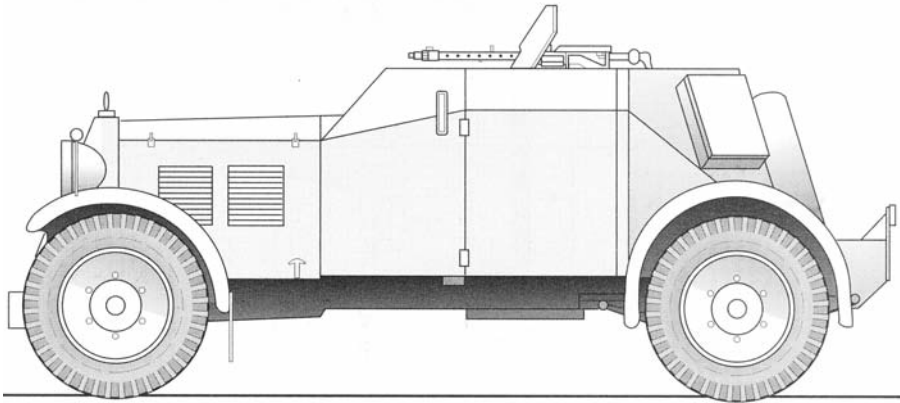


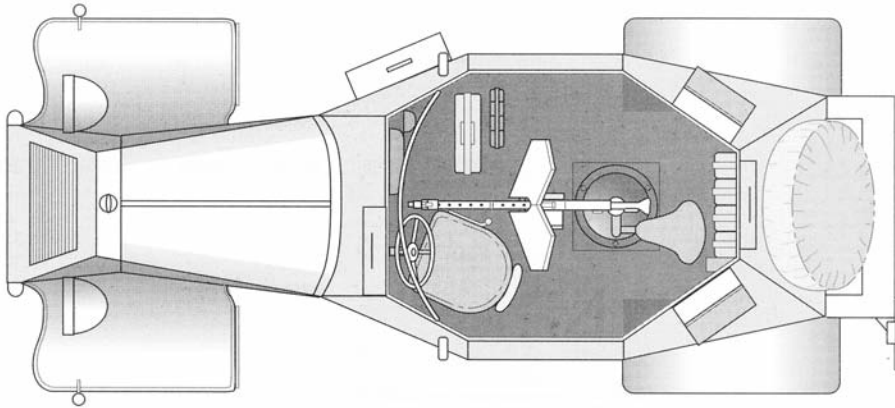
167 / BW
DHR



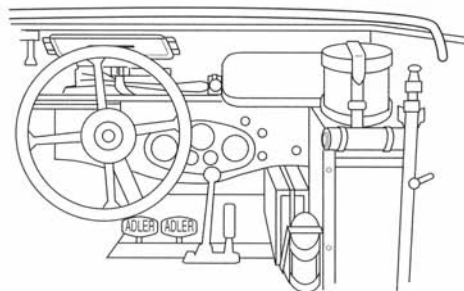
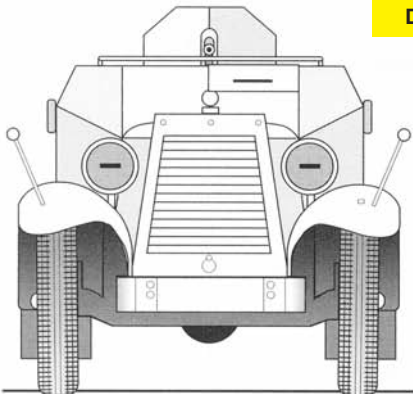
168 / BW
DHR



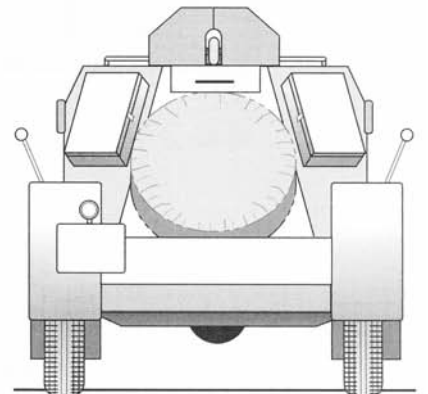
169 / BW
DHR



170 / BW
DHR



Basic dashboard & gear shift levers.



171 / BW
DHR



The *Kfz. 13* was used starting in the early 1930s as a training vehicle for reconnaissance forces. The modified civilian chassis had a single MG 13 on a swivel mount in the open fighting compartment. It was barely deemed combat worthy when introduced, but this vehicle and its sister armored car, the *Kfz. 14 (Fu)*, were actually still in use by 1939, and some saw action in both Poland and the West. Here the machine gun has not been mounted, and the prewar three-tone camouflage pattern can be seen. JIM HALEY

172 / BW
DHR



The MG 13 is mounted on this *Kfz. 13* from the *2./Aufklärungs-Abteilung 5 (mot)* of the *2. Panzer-Division*. A prewar tactical symbol readily identifies the unit the vehicle belongs to. Of interest is the painting of the vehicle's nomenclature on the left side of the superstructure. JIM HALEY